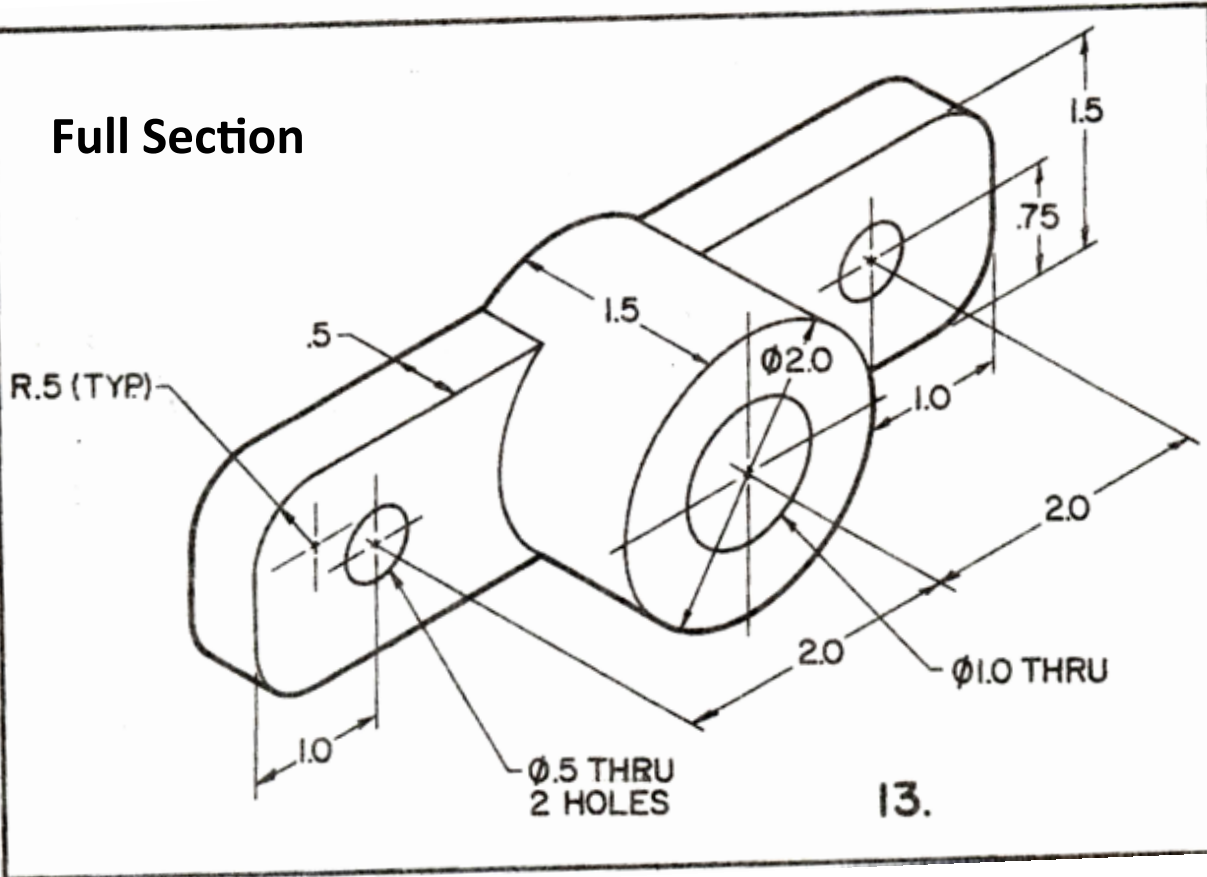
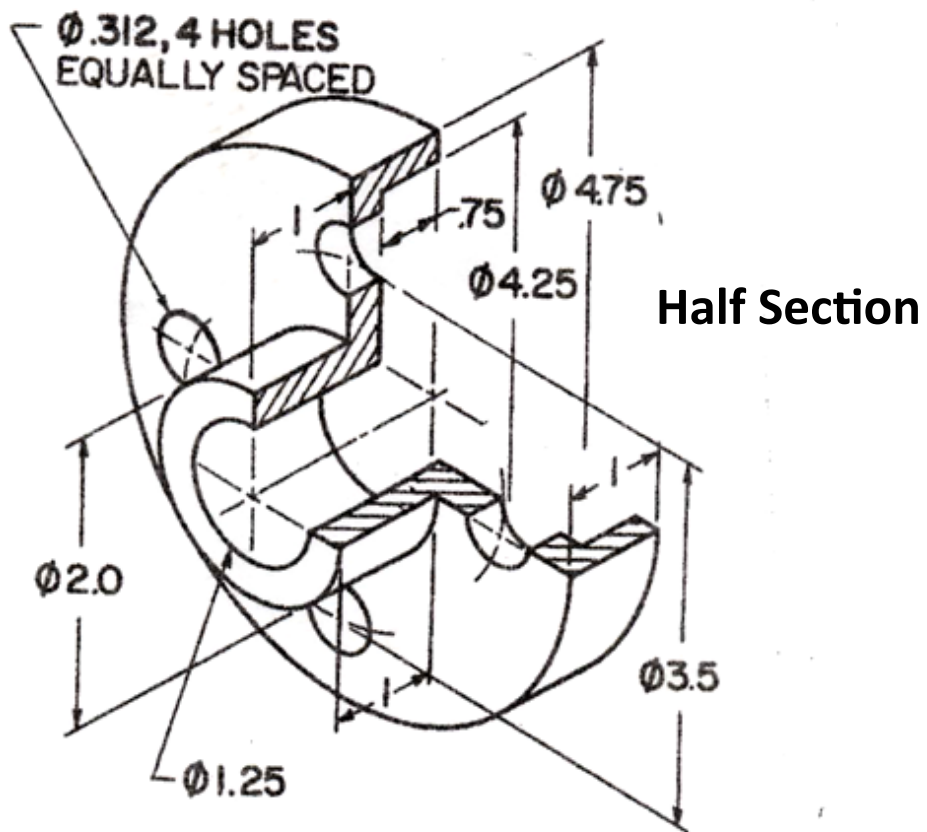


Full Section

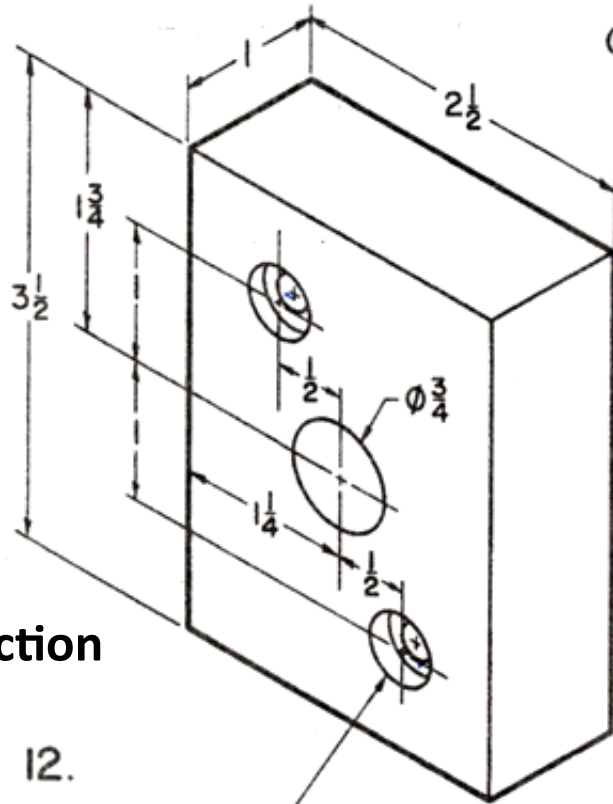


13.



Half Section

OFFSET

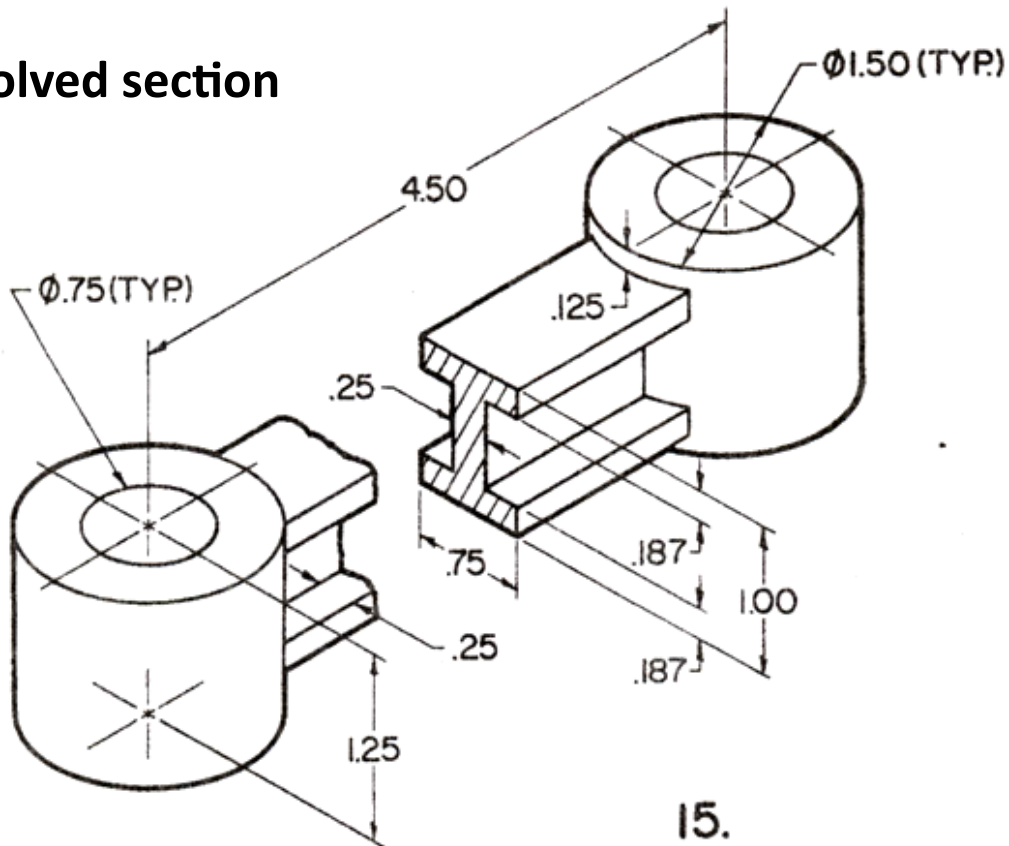


Offset section

12.

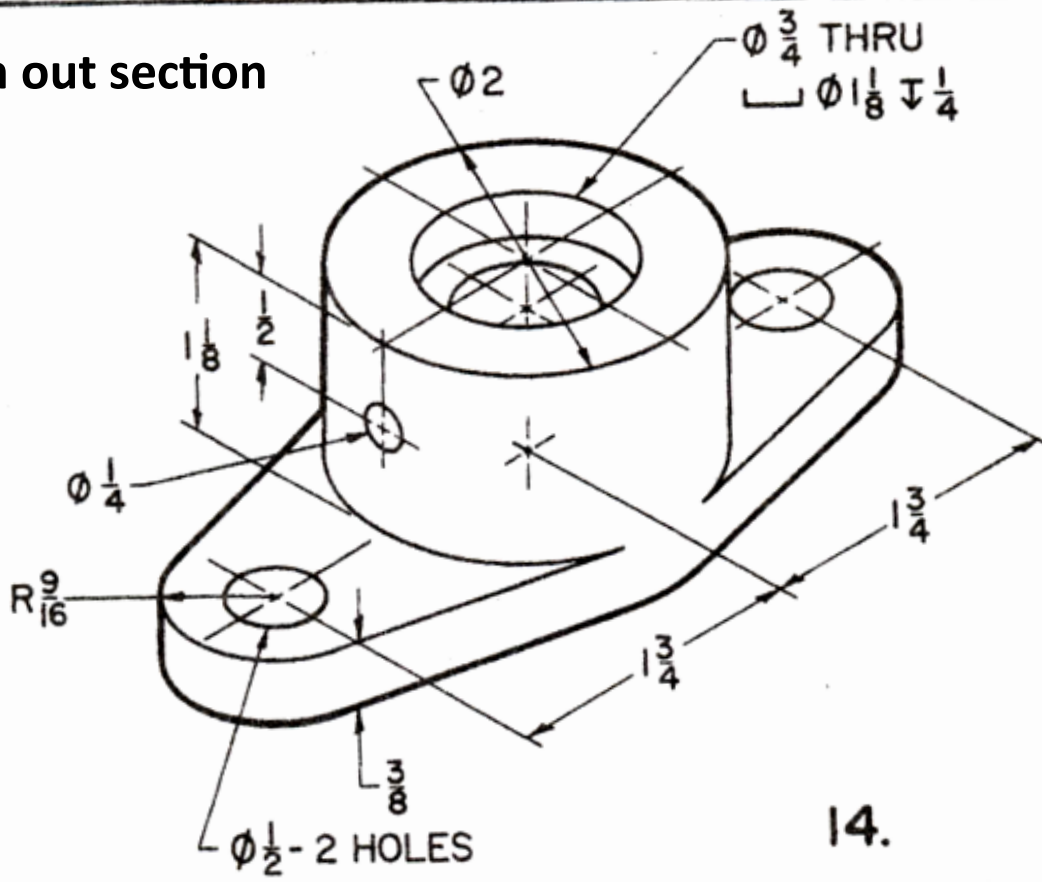
$\phi \frac{1}{4}$ THRU
 $\phi \frac{1}{2} \downarrow \frac{1}{8}$
2 HOLES

Revolved section



15.

Broken out section



Revolved section

