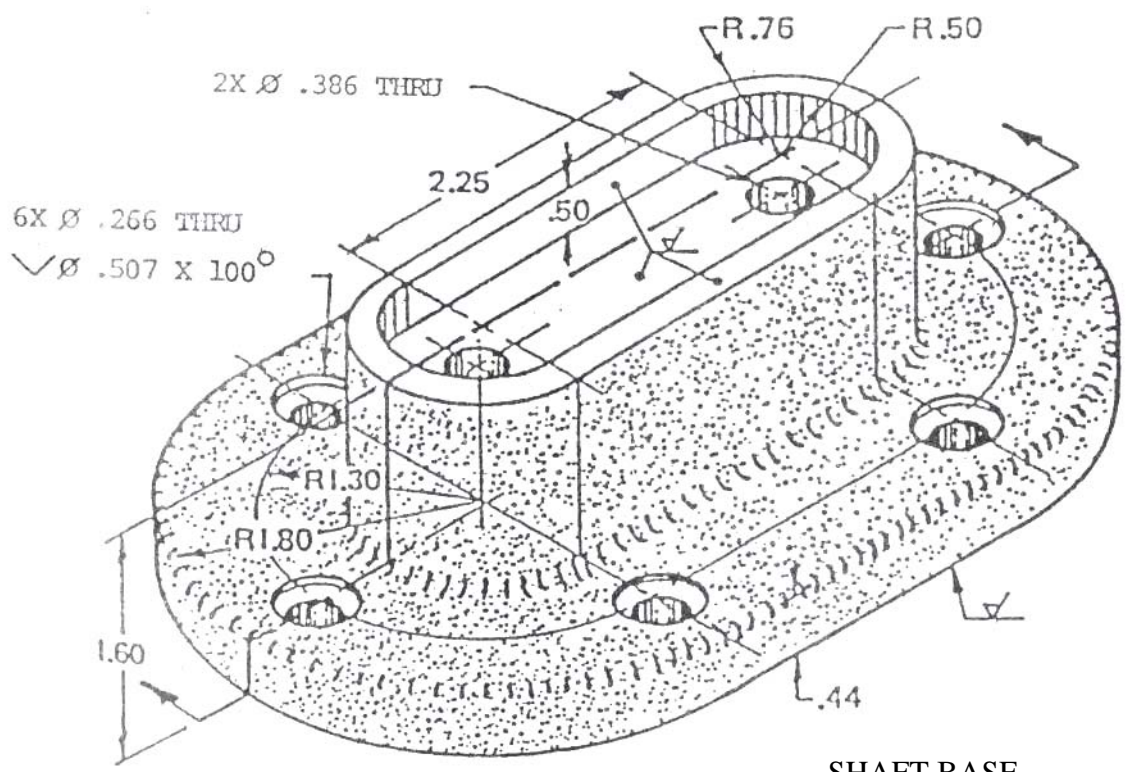


ANGLE BLOCK  
 Viewport scale .5  
 3 views fully dimensioned  
 See video for angle opening



Shaft base.

SHAFT BASE  
 Viewport scale 1  
 3 views fully dimensioned  
 Front view full section  
 All fillets R .1