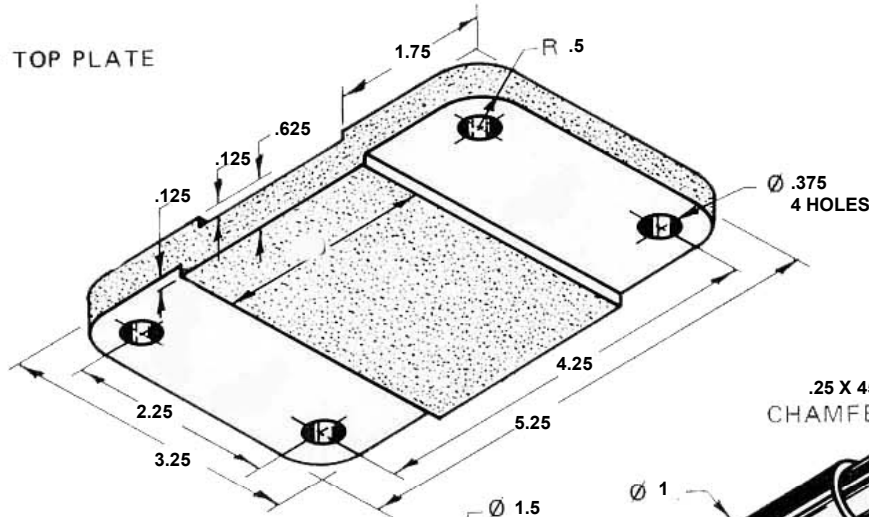
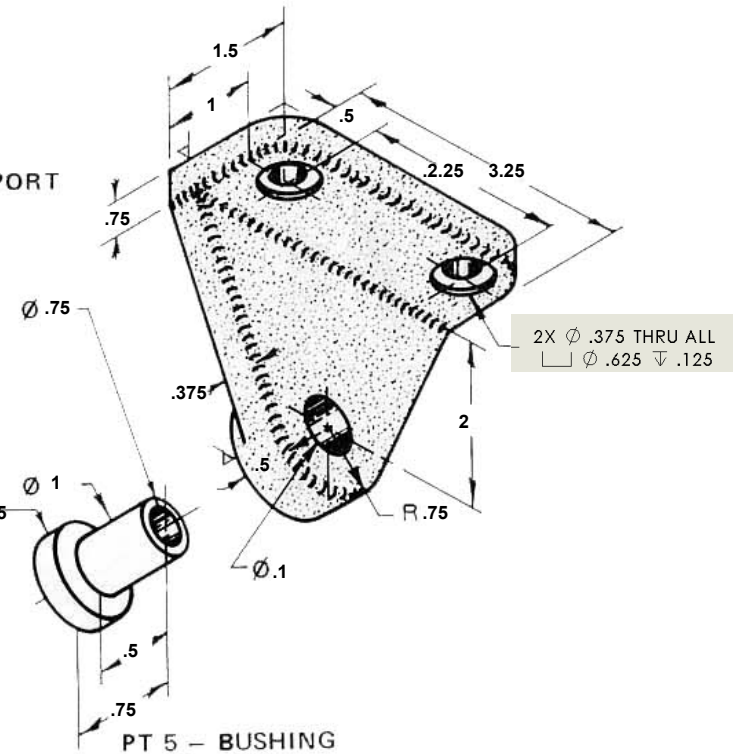


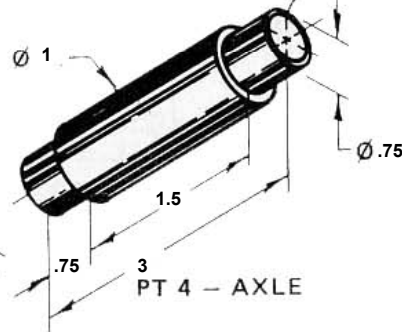
PT 1 - TOP PLATE



PT 3 - AXLE SUPPORT

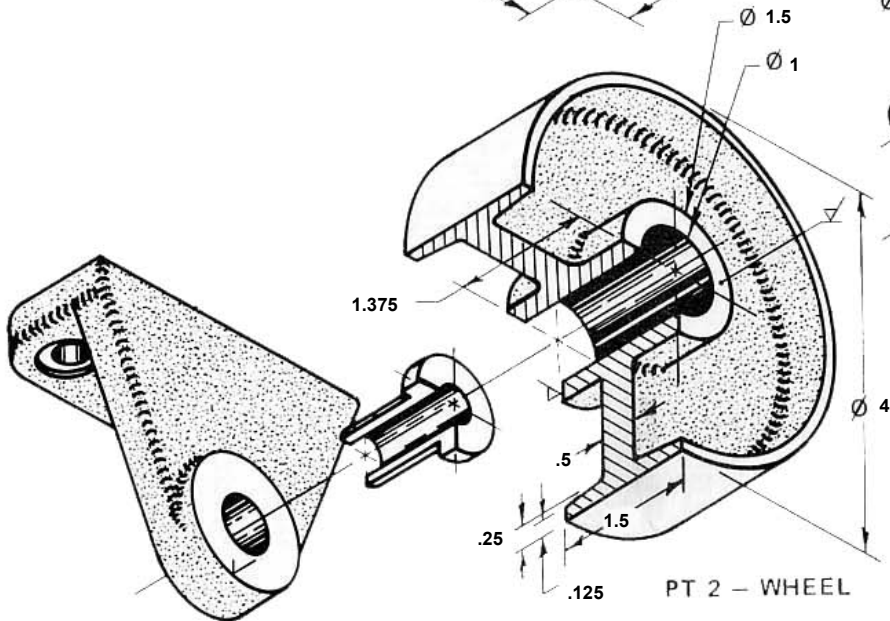
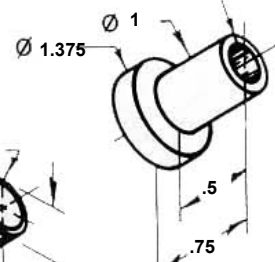


.25 X 45 CHAMFER



PT 4 - AXLE

PT 5 - BUSHING



PT 2 - WHEEL

# WHEEL PROJECT

ROUNDS AND FILLETS R .125