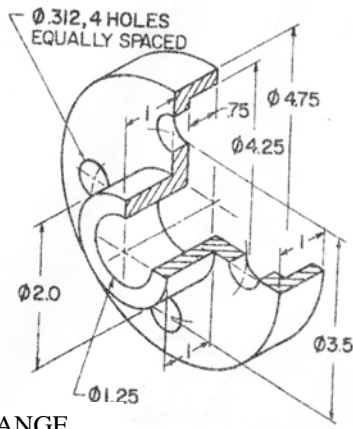


Fig. 5-60 Slide.



FLANGE

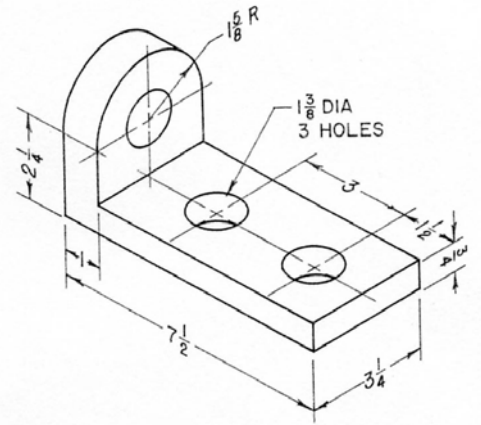


Fig. 5-63 Base.

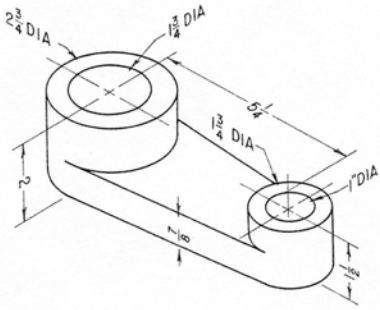


Fig. 5-66 Swivel arm.

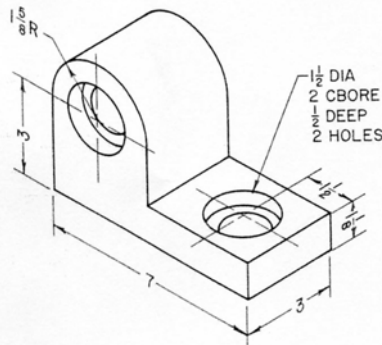


Fig. 5-64 Shaft support.

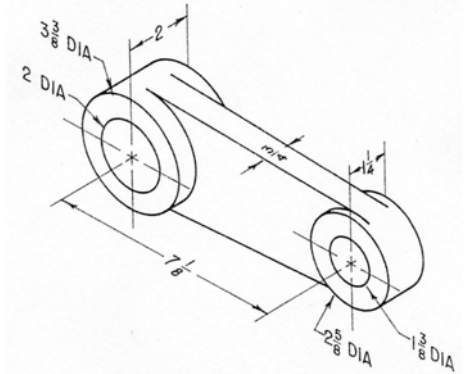


Fig. 5-62 Pivot arm.

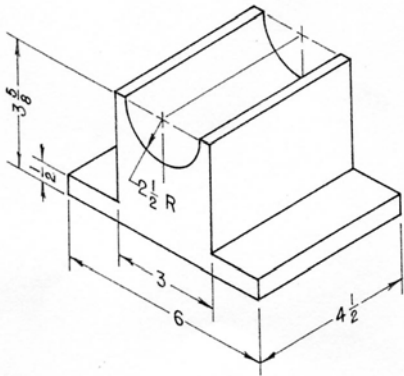


Fig. 5-61 Cradle block.

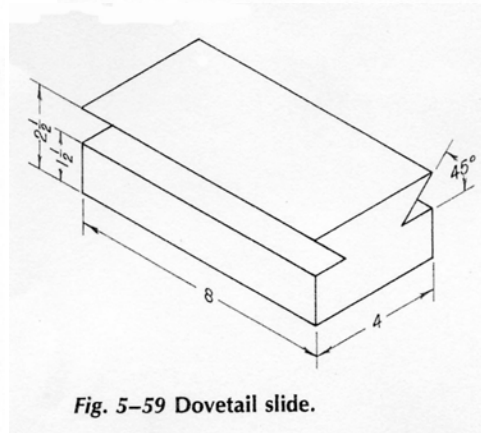


Fig. 5-59 Dovetail slide.

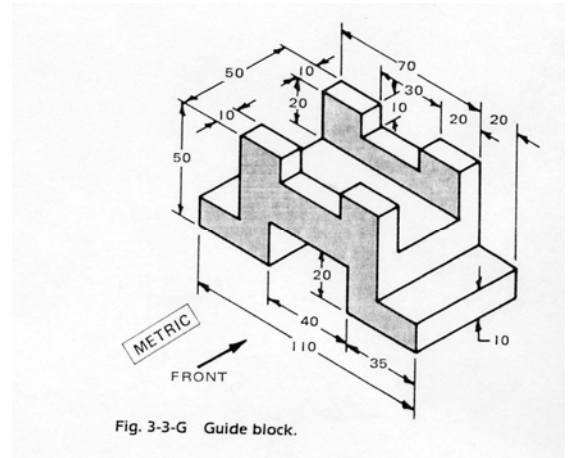


Fig. 3-3-G Guide block.

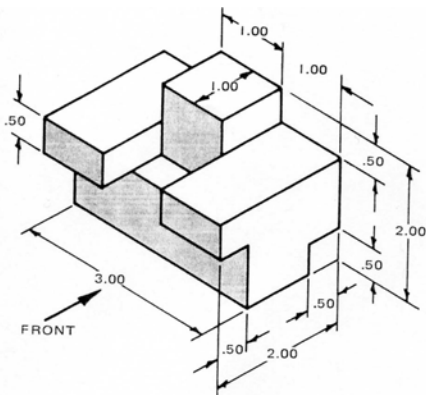


Fig. 3-3-E Link.

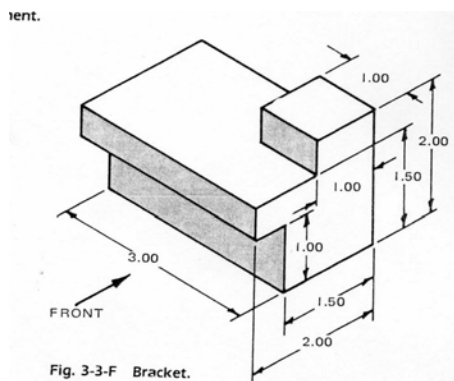


Fig. 3-3-F Bracket.

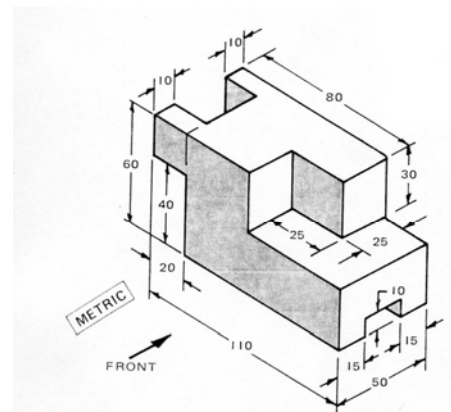


Fig. 3-3-D Adapter.