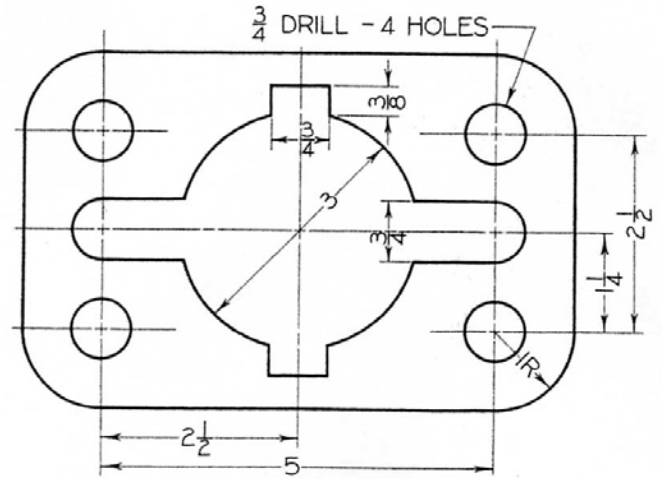
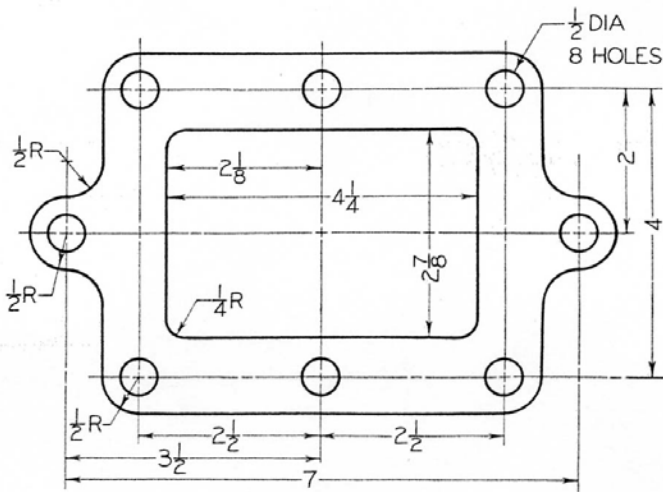


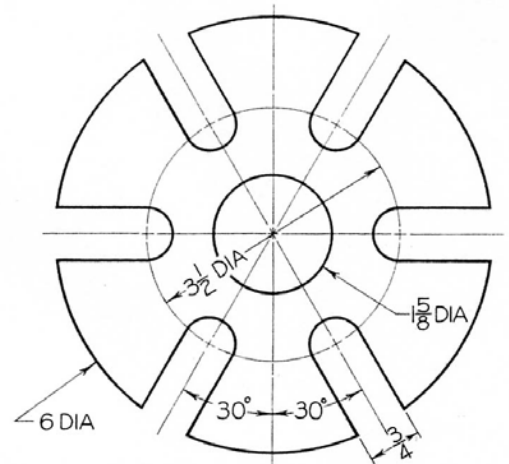
ADJUSTING ARM  
SCALE: FULL



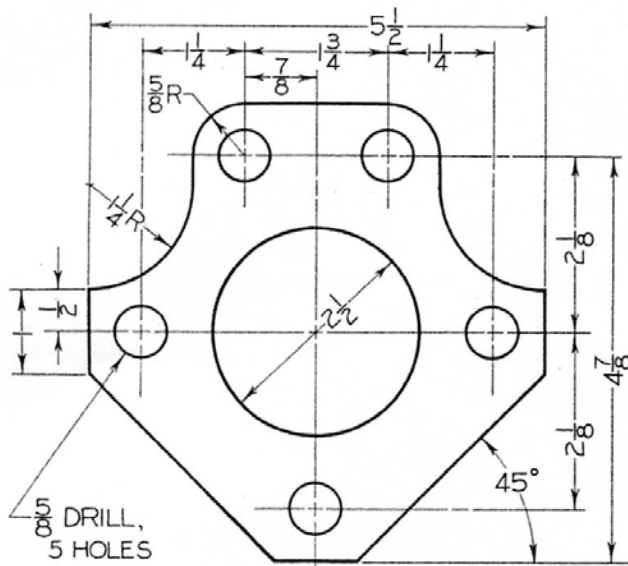
KEYPLATE  
SCALE FULL



GASKET  
SCALE: FULL



SLOTTED CAM  
SCALE: FULL



TEMPLATE  
SCALE FULL